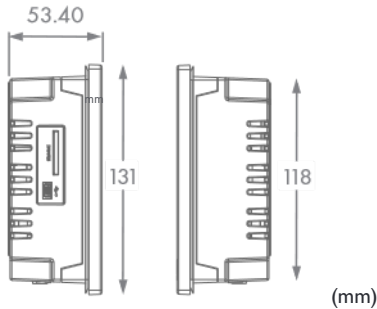
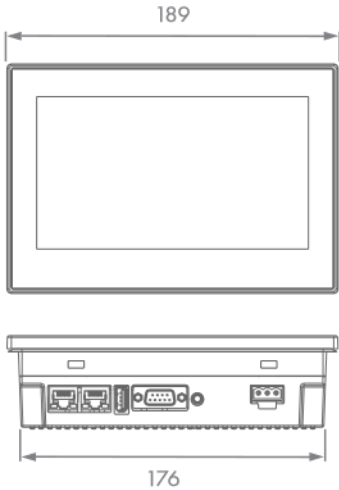


# CM-NXTO7-D

HMI

CIMON



## CANVAS DESIGNER SOFTWARE

- MQTT (SparkPlug), OPC UA, EtherNet/IP, Modbus, Siemens S7 Protocol, and more.
- Multi-user VNC
- Javascript script editor

## APPROVALS

**UL:** UL61010-1 / UL61010-2-201 (E231117)

**UL Hazardous:** UL 121201 (E527727)  
Class 1 Div 2

**CE:** Electromagnetic Compatibility Directive 2014/30/EU (EMC)

**FCC:** The 47 CFR, Part 2, Part 15 and Part 18 Of FCC Requirement

**KC:** Registration of Broadcasting and Communication Equipments

**Protection Class:** IP68 (front), IP20 (rear), UL Type 4X, 12

LCD Size	7 inch Wide TFT Color
Colors	16.7M colors
Resolution	WVGA 800x480
Backlight	LED
Luminance	1000 cd/m <sup>2</sup>
Backlight Life	50,000 hours
Touch Panel	Capacitive (5 points)
Memory	1 GB DDR3
Storage	8 GB eMMC
SD Card	1 SD slot
COM1	RS-422/485
COM2	RS-232
Ethernet	10/100/1000 2 ports
USB Host	1 port
Tool Port	1 USB device
Audio	1 port
Front Bezel	Aluminum
Rated Voltage	-D: DC24V (Class 2)
Power Consumption	9W (MAX: 12W)
OS	Embedded Linux
Weight	0.879 kg
Dimension (mm)	188.95x130.95x53.4
Panel Cut (mm)	177x119
Ambient Temperature	-20°C - 65°C
Storage Temperature	-20°C - 65°C
Ambient Humidity	10–90% RH (below 29°C, not condensed)
Storage Humidity	10–90% RH (below 39°C, not condensed)
Environment Condition	800 hPa–1114 hPa (2000 m/6,500 ft or less)
Dust	≤ 0.1mg/m <sup>3</sup> (No conductive dust allowed)
Pollution Degree	≤ Pollution Degree 2
Operating Ambience	No corrosive gas or dust
Noise Resistance	Impulse, EFT/Burst, Surge, ±2 kV, 1 us
Static Discharge Resistance	4 kV (Contact Discharge), 8 kV (Air Discharge) (IEC 61000-4-2)
Concussion Resistance	JIS B 3502, IEC/EN 61131-2 compliant 147 m/s <sup>2</sup> , X,Y,Z directions for ±3 times (Total 18 times)
Vibration Resistance	JIS B 3502, IEC/EN 61131-2 compliant 5–9 Hz Single amplitude: 3.5 mm 9–150 Hz Fixed acceleration: 9.8 m/s <sup>2</sup> X,Y,Z directions for 10 cycles (approx. 100 min)

